

RPC-120/280/3., RPC-160/280/4.

multi-pole, surge arrester, $I_{max} = 40 \text{ kA} (8/20 \mu\text{s}) / \text{pole}$

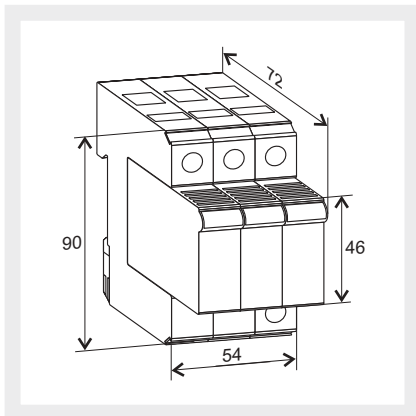
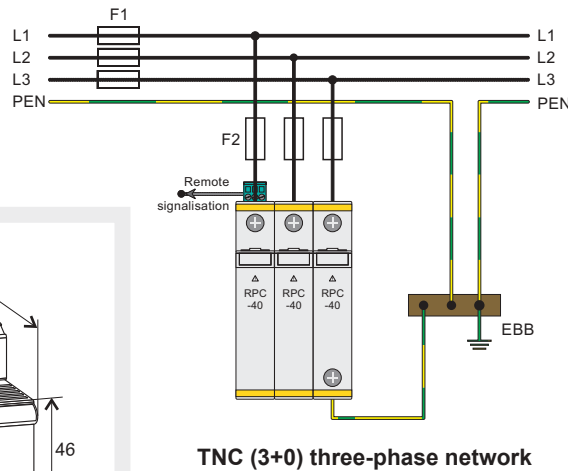
Type of arrester **RPC-120/280/3, RPC-120/280/3R**

Technical data

Dimensions	90 x 54 x 72 mm (DIN 43880: 3TE)
Packaging dimensions	108 x 71 x 74 mm
Weight	345 g RPC-...R: 355 g

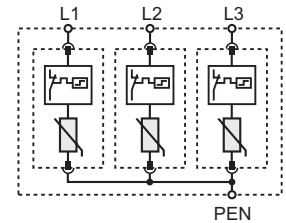
RPC-120/280/3. - set: three arresters RPC-40/280/1.

Technical data - see page 30.

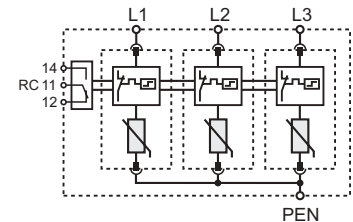


NEW product

RPC-120/280/3



RPC-120/280/3R



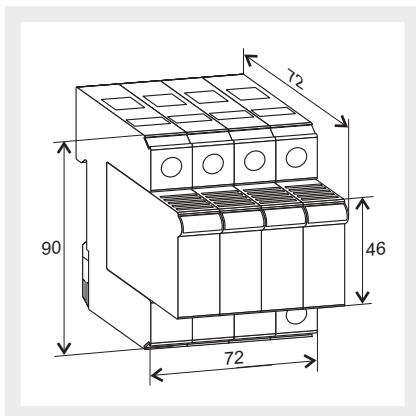
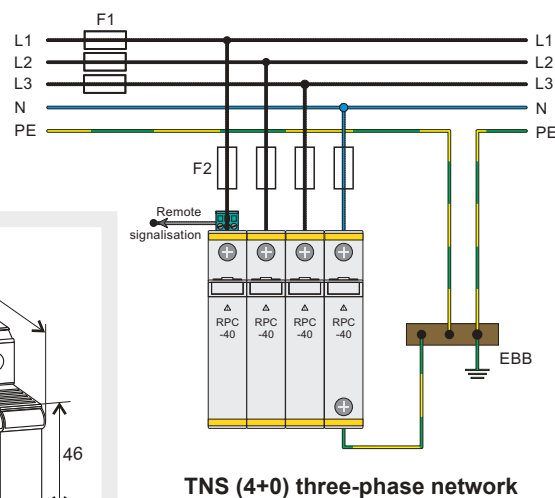
Type of arrester **RPC-160/280/4, RPC-160/280/4R**

Technical data

Dimensions	90 x 72 x 72 mm (DIN 43880: 4TE)
Packaging dimensions	108 x 79 x 74 mm
Weight	460 g RPC-...R: 470 g

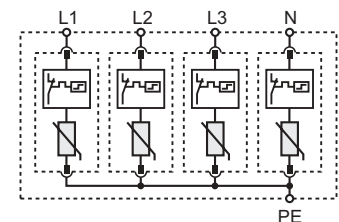
RPC-160/280/4. - set: four arresters RPC-40/280/1.

Technical data - see page 30.



NEW product

RPC-160/280/4



RPC-160/280/4R

