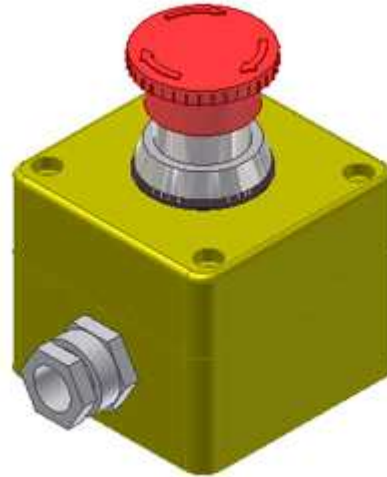
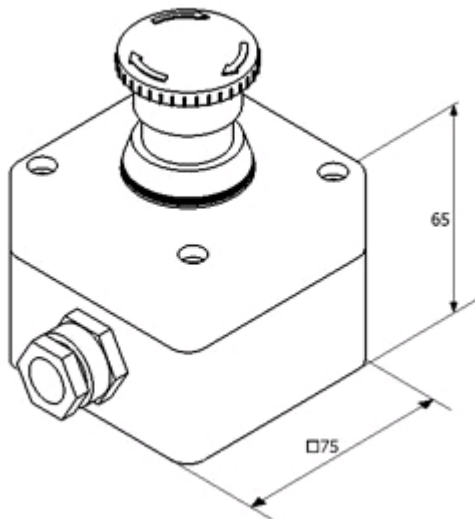




CONTROL BOXES KM



Control boxes are equipped with signal lamps or control push buttons manufactured by SN PROMET. There are standard versions and versions made according to individual customer needs. In standard version control box is equipped with one gland. Non standard version can be equipped with second gland on the opposite wall of the casing.

Casing is made of ABS. There are two colors: yellow and grey. Control boxes are adapted for installation in closed spaces almost free of dust, gas and inflammable or chemically active vapours.

There is a possibility of making descriptions of all functions for lamps or push buttons on special labels on the front panel. We make wiring inside control box.

TECHNICAL DATA

Protection degree	without equipment	IP 67
	with equipment	IP 56 or IP 66 depends on equipment
Operating temperature	without equipment	-40° ... +80°
Colour	grey yellow	
Maximal number of connecting circuits	for NEF22	3
	for NEF30	2
Maximal gland dimension	Dp 16	
Mounting	4 screws M4	

Product consistent with standard IEC 60947-5-1