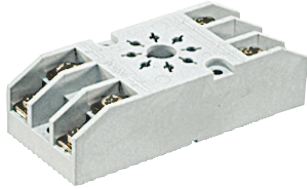


Plug-in sockets and accessories

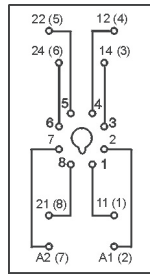
GZ8

For R15 - 2 CO

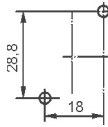
Screw terminals
Max. tightening moment for the terminal: 0,7 Nm
On panel mounting
82,8 x 35,5 x 22,5 mm
Two poles
10 A, 300 V AC



Connection diagram

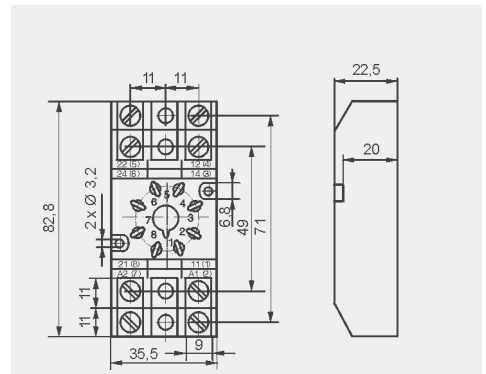


Mounting dimensions



GZ 1050

Dimensions



Accessories

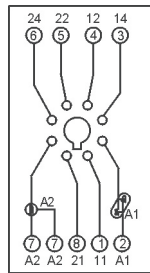
GZP8

For R15 - 2 CO

Screw terminals
Max. tightening moment for the terminal: 0,5 Nm
35 mm rail mount acc. to PN-EN 60715 or on panel mounting
73 x 38,2 x 27,2 mm
Two poles
12 A, 300 V AC



Connection diagram



Time module COM3

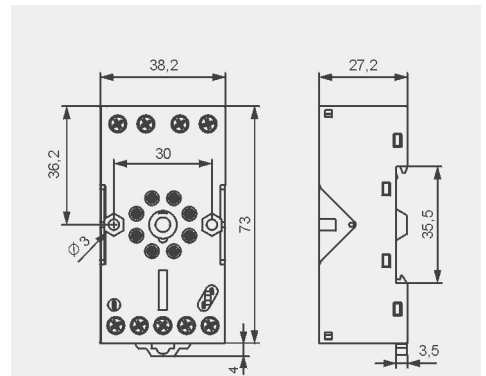


GZP-0054



GZP-0035

Dimensions



Accessories

GOP8

For R15 - 2 CO

Solder terminals
47,2 x 32 x 22 mm
Two poles
10 A, 250 V AC



Accessories

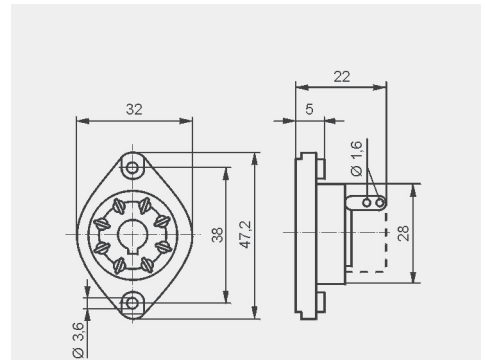


R159 1051



R15 5922

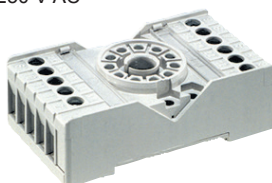
Dimensions



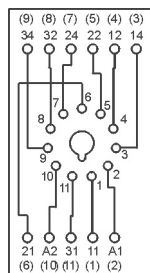
PS11 ④

For R15 - 3 CO

Screw terminals
Max. tightening moment for the terminal: 0,7 Nm
35 mm rail mount acc. to PN-EN 60715 or on panel mounting
68,2 x 38 x 24,2 mm
Three poles
10 A, 250 V AC

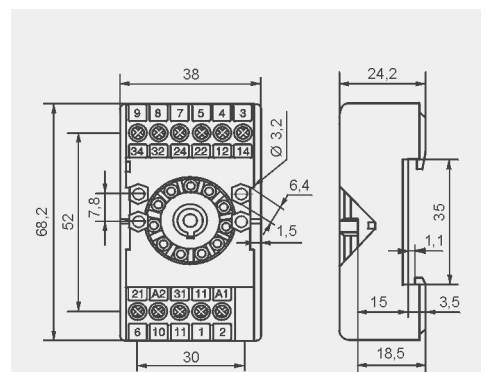


Connection diagram



PZ11 0031

Dimensions



Accessories

④ Have obtained LR Type Approval Certificate (Lloyd's Register).