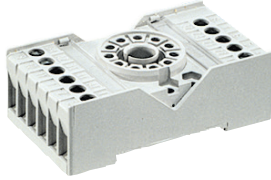


# Plug-in sockets and accessories

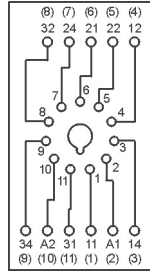
## PZ11

For R15 - 3 CO

Screw terminals  
Max. tightening moment  
for the terminal: 0,7 Nm  
35 mm rail mount  
acc. to PN-EN 60715  
or on panel mounting  
68,2 x 38 x 24,2 mm  
Three poles  
10 A, 250 V AC

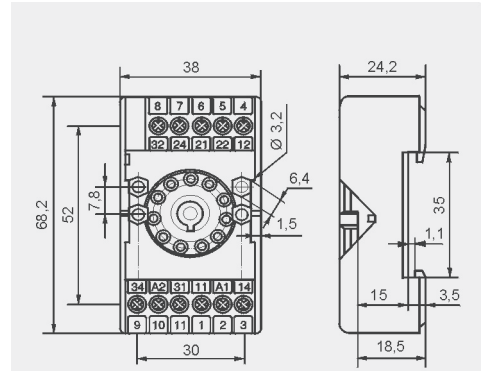


### Connection diagram



PZ11 0031

### Dimensions



### Accessories

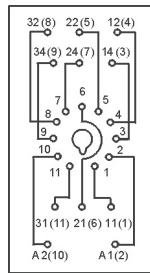
## GZU11

For R15 - 3 CO

Screw terminals  
Max. tightening moment  
for the terminal: 0,7 Nm  
35 mm rail mount  
acc. to PN-EN 60715  
82 x 35,5 x 25,7 mm  
Three poles  
10 A, 250 V AC

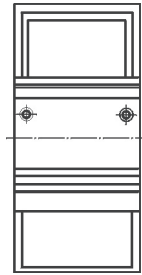


### Connection diagram

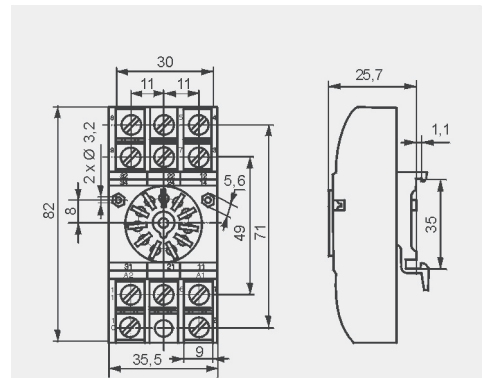


GZU 1052

### Adaptor



### Dimensions

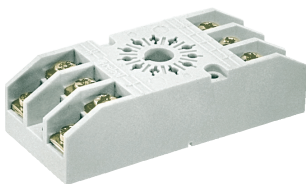


### Accessories

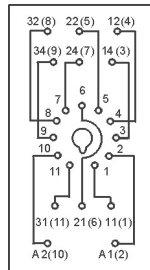
## GZ11

For R15 - 3 CO

Screw terminals  
Max. tightening moment  
for the terminal: 0,7 Nm  
On panel mounting  
82,8 x 35,5 x 22,5 mm  
Three poles  
10 A, 250 V AC

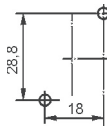


### Connection diagram

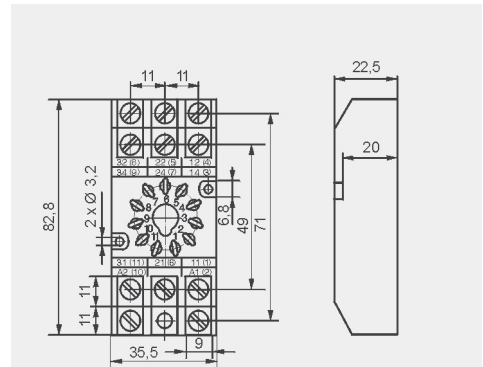


GZ 1050

### Mounting dimensions



### Dimensions



### Accessories

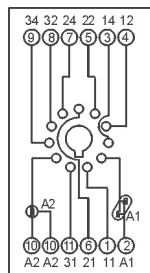
## GZP11

For R15 - 3 CO

Screw terminals  
Max. tightening moment  
for the terminal: 0,5 Nm  
35 mm rail mount  
acc. to PN-EN 60715  
or on panel mounting  
73 x 38,2 x 27,2 mm  
Three poles  
12 A, 300 V AC



### Connection diagram



GZP-0054

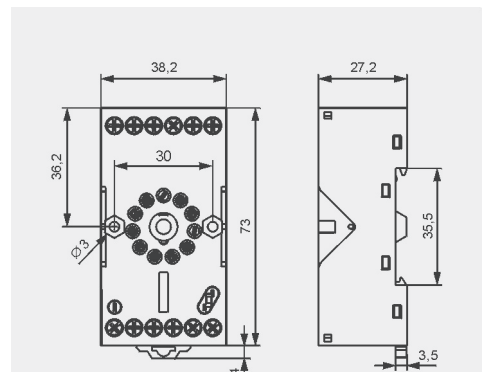


Time module COM3



GZP-0035

### Dimensions



### Accessories

Ⓢ Have obtained LR Type Approval Certificate (Lloyd's Register).