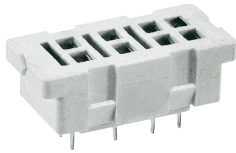


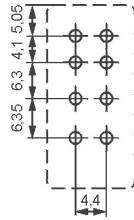
Plug-in sockets and accessories

S2M

For R2M
For PCB
29,6 x 14 x 10,5 mm
Two poles
5 A, 250 V AC



Pinout

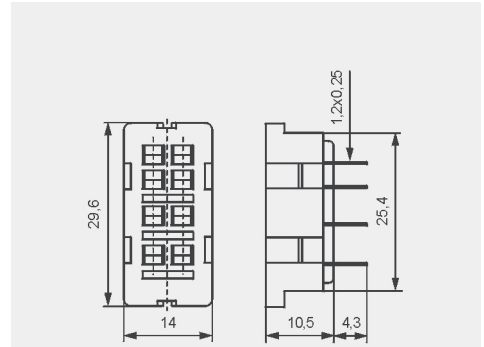


Accessories



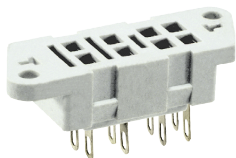
G4 1050

Dimensions



G2M

For R2M
Solder terminals
40,5 x 14 x 10,5 mm
Two poles
5 A, 250 V AC



Accessories

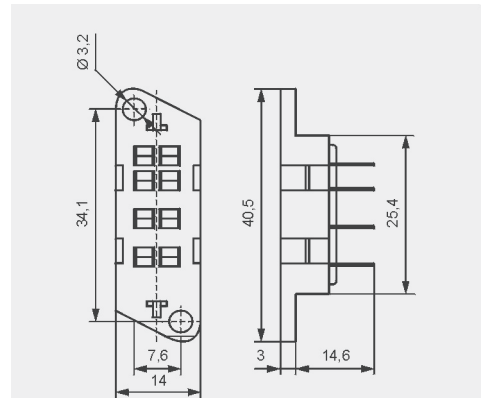


G4 1050



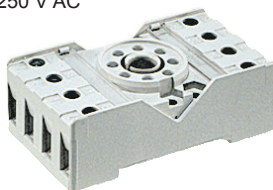
G2M 1020

Dimensions

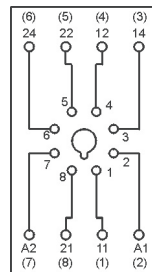


PZ8 ④

For R15 - 2 CO
Screw terminals
Max. tightening moment
for the terminal: 0,7 Nm
35 mm rail mount
acc. to PN-EN 60715
or on panel mounting
68,2 x 38 x 24,2 mm
Two poles
10 A, 250 V AC



Connection diagram

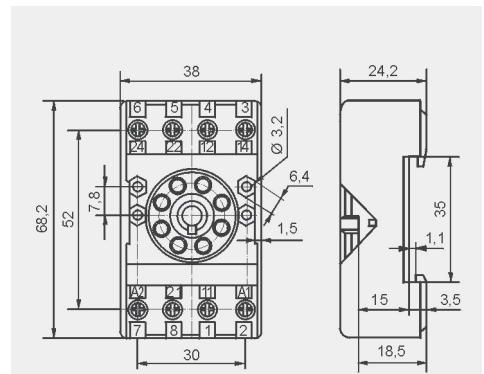


Accessories



PZ11 0031

Dimensions

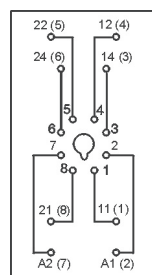


GZU8

For R15 - 2 CO
Screw terminals
Max. tightening moment
for the terminal: 0,7 Nm
35 mm rail mount
acc. to PN-EN 60715
82 x 35,5 x 25,7 mm
Two poles
10 A, 300 V AC



Connection diagram

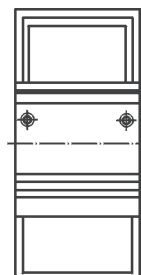


Accessories

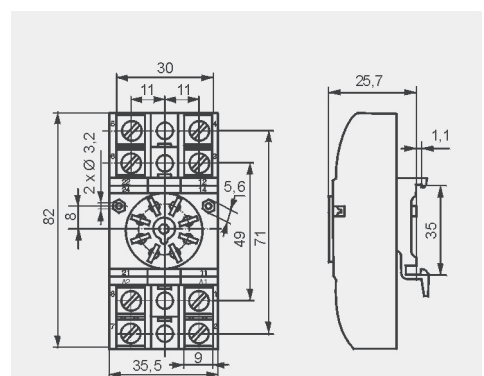


GZU 1052

Adaptor



Dimensions



④ Have obtained LR Type Approval Certificate (Lloyd's Register).